



Industrial Starters

BCH range of DOL 3-Phase and 1-Phase industrial starters



- Equipped with rugged BCH Duros Freedom contactor
- Precise protection under overloads & single phasing
- Simple construction & easy maintenance
- High mechanical & electrical life
- Site selectable auto/manual reset option



BCH ELECTRIC LIMITED

To address rapidly increasing industrial needs and demanding applications, BCH industrial starters are the choice. BCH industrial starters are available in direct online (DOL) from **0.5HP to 10HP in 3-Phase** & **0.125HP to 3.0HP in 1-Phase**. These starters are equipped with the most rugged & robust Duros Freedom contactors & relays to meet the varied challenges of the industrial environment.



Starter selection chart & specifications as per IS/IEC 60947-4-1

Product code	Motor output at		Contactor Rating AC3 (A)	Overload relay range (Amp)	Starter AC3 Ie (A)	Back-up protection HRC fuse (Amp)
	220V 1Ph 50Hz KW/H	415V 3Ph 50Hz KW/HP				
CEBF*		0.37/0.5	9	1.0-1.4	1.1	4
CEBG*	0.09/0.125	0.55/0.75		1.3-1.8	1.6	6
CEBH*	0.12/0.16	0.75/1.0		1.7-2.4	2.1	10
CEBJ*		1.1/1.5		2.2-3.1	2.9	16
CEBK*	0.18/0.25	1.5/2.0		2.8-4.0	3.5	16
CEBM*	0.37/0.5	2.2/3.0		4.5-6.5	5.5	16
CEBP*	0.75/1.0	3.7/5.0		7.5-11	8	25
CECQ*	1.5/2.0	5.5/7.5		12	14-Oct	12
CEDR*	2.2/3.0	7.5/10	18	13-19	15	50

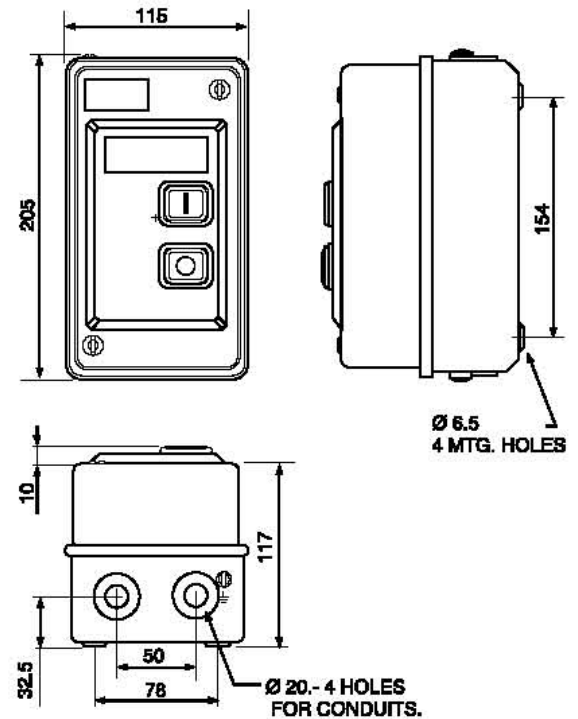
* Add suffix for coil voltage

Coil voltage	Suffix
220V	B
240V	K
380V	L
415V	M

Other specifications

Rated operational voltage (U _e)	: 415 V
Rated insulation voltage (U _i)	: 660 V
Mechanical life	: tested up to 300000 operations
Frequency of operation	: class 30 as per IS/IEC
Relay trip class	: 10
Enclosure category	: IP-54

OVERALL DIMENSIONS & FIXING DETAILS



BCH Electric Limited

visit us at www.bchindia.com or e-mail us marketing@bchindia.com

Corporate Office: 1105, New Delhi House, 27, Barakhamba Road, New Delhi-110 001, Tel: +91-11-23316029/3610/6539/43673100

Registered office: Block 1E, 216, Acharya Jagadish Chandra Bose Road, Kolkata-700 017

Works-1: 20/4, Mathura Road, Faridabad-121 001, Tel: 0129-4293000, 4063000

Works-2: 64-68, Sector-7, IIE, Pant Nagar, Rudrapur, Udham Singh Nagar, 263 153 (Uttrakhand), Tel: 05944-250214/16